

## BUS B

Please fill out your contact information and vehicle information below:

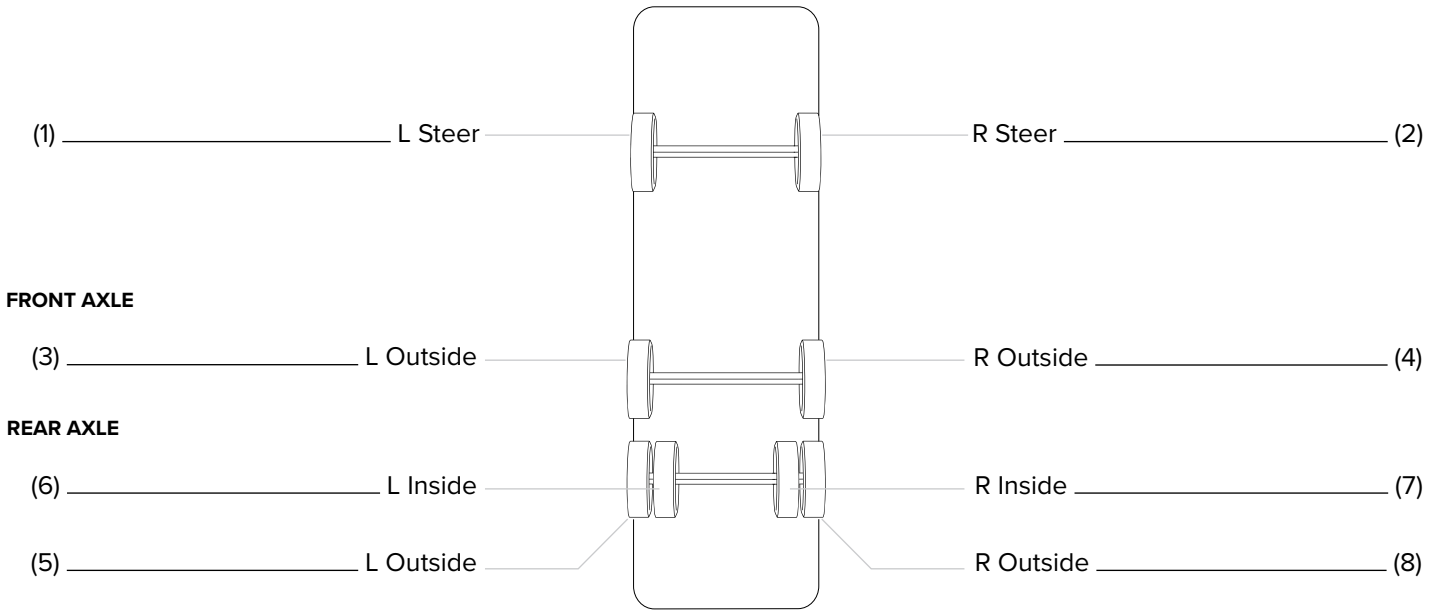
_____ Company Name	_____ Date
_____ Address	_____ Telephone
_____ Email	_____ Main Contact
_____ Vehicle (Make/Model)	_____ Vehicle Number/License Plate

### TIRE INFORMATION

Please fill out the indicated tire information below:

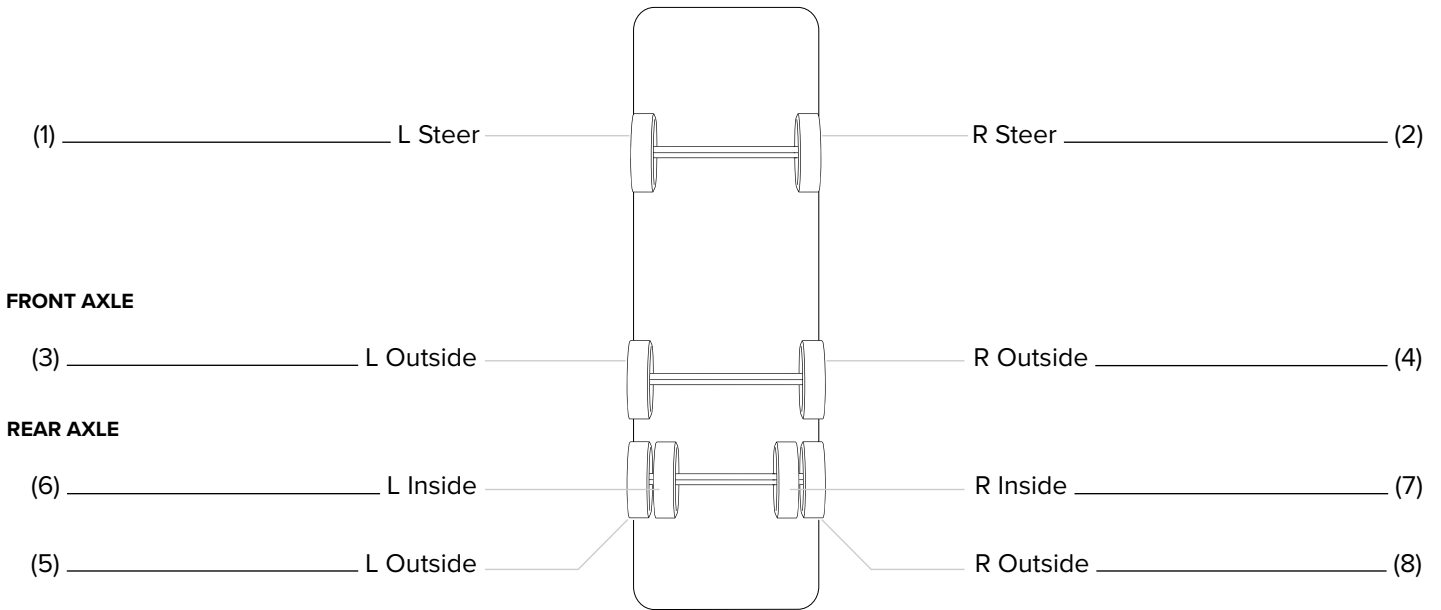
(1) _____ Serial Number	_____ Tire Size	_____ Tire Model	_____ Ply Rating
(2) _____ Serial Number	_____ Tire Size	_____ Tire Model	_____ Ply Rating
(3) _____ Serial Number	_____ Tire Size	_____ Tire Model	_____ Ply Rating
(4) _____ Serial Number	_____ Tire Size	_____ Tire Model	_____ Ply Rating
(5) _____ Serial Number	_____ Tire Size	_____ Tire Model	_____ Ply Rating
(6) _____ Serial Number	_____ Tire Size	_____ Tire Model	_____ Ply Rating
(7) _____ Serial Number	_____ Tire Size	_____ Tire Model	_____ Ply Rating
(8) _____ Serial Number	_____ Tire Size	_____ Tire Model	_____ Ply Rating

## TIRE AIR PRESSURE

 Please fill out the indicated tire air pressure information below:

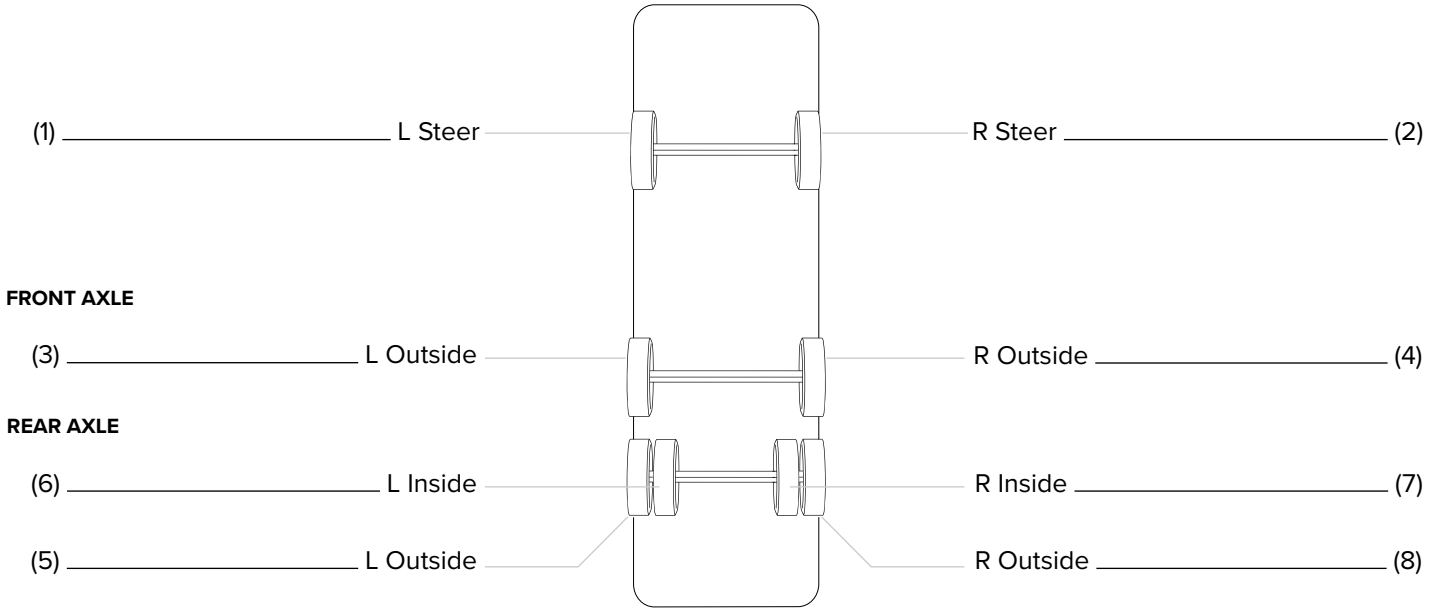
Comentarios \_\_\_\_\_  
\_\_\_\_\_

## TREAD DEPTHS

 Please fill out the indicated tire tread depth information below:

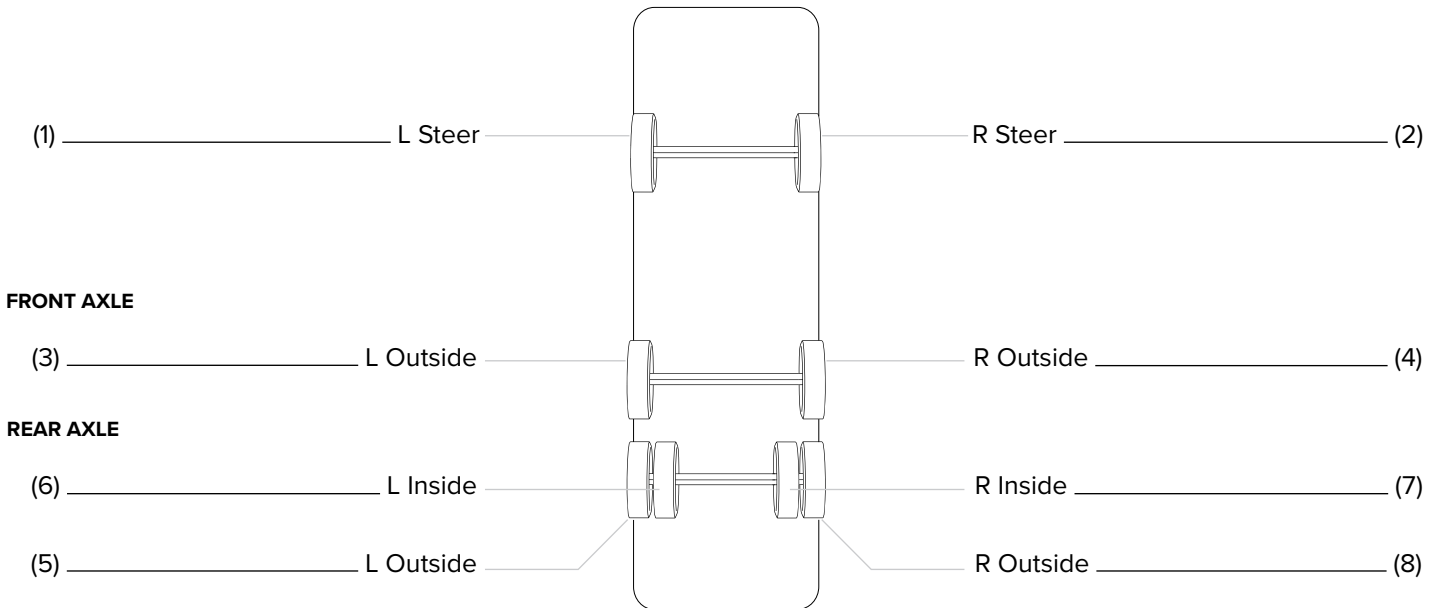
Comments \_\_\_\_\_  
\_\_\_\_\_

**TIRE AIR PRESSURE** Please fill out the indicated tire air pressure information below:



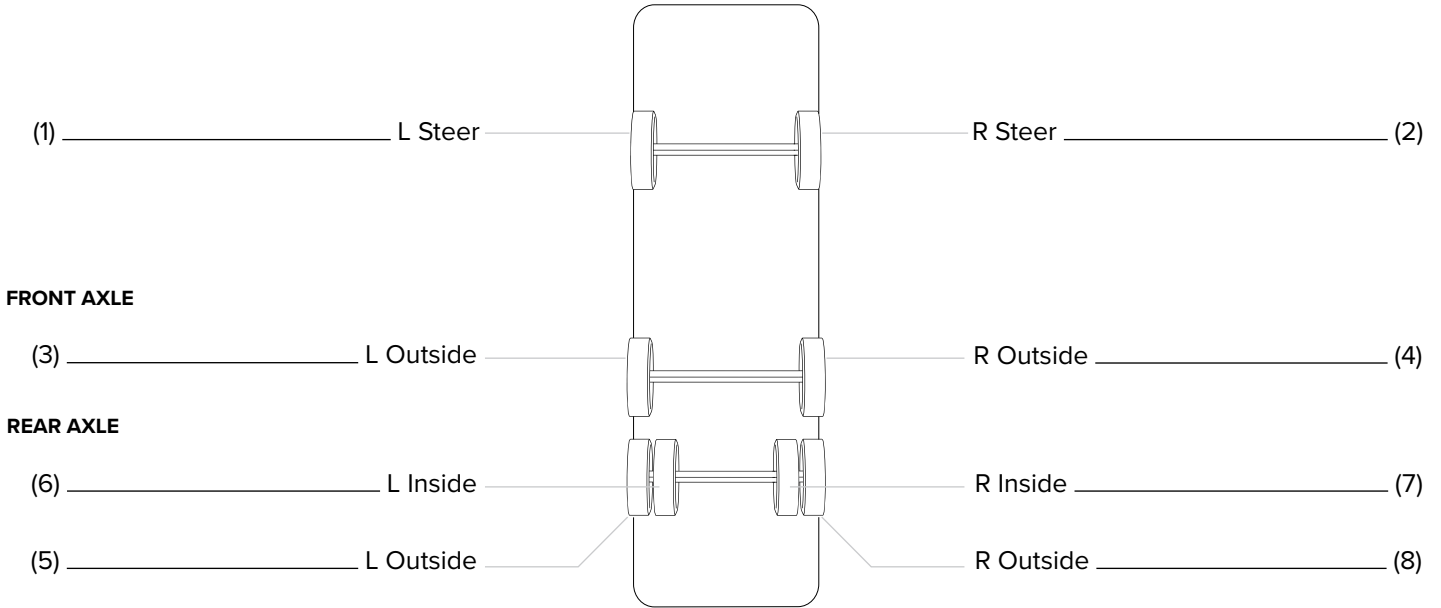
Comentarios \_\_\_\_\_  
\_\_\_\_\_

**TREAD DEPTHS** Please fill out the indicated tire tread depth information below:



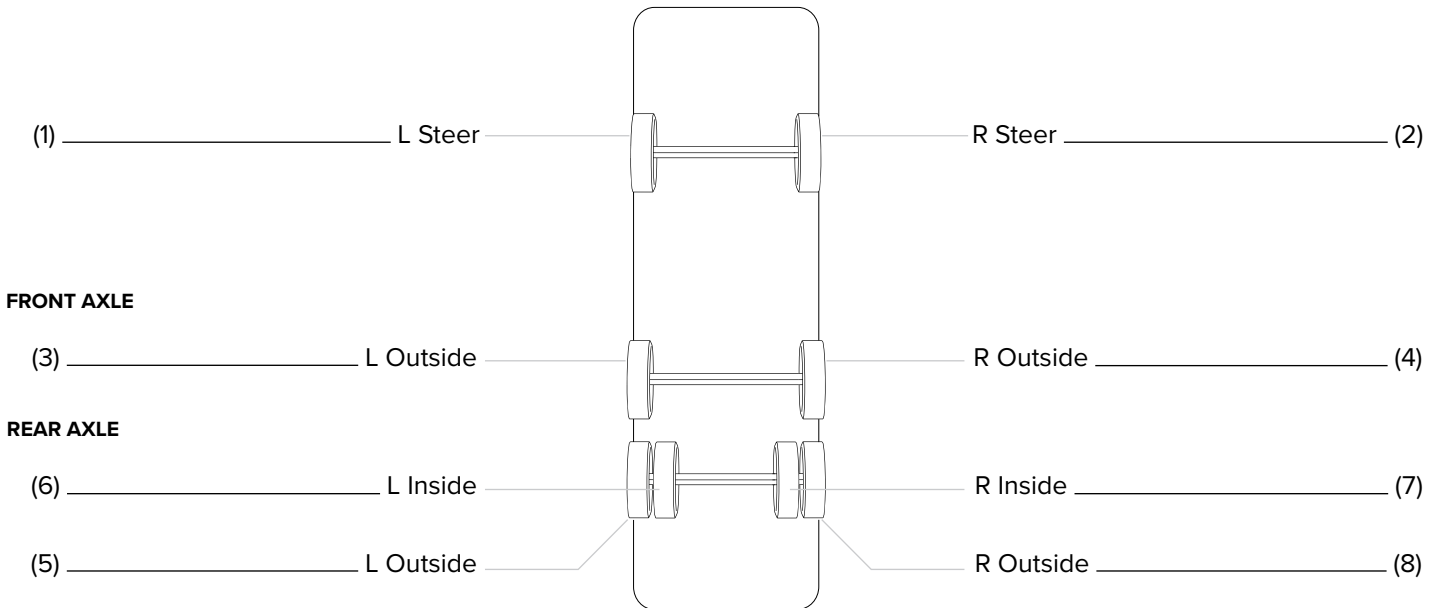
Comments \_\_\_\_\_  
\_\_\_\_\_

**TIRE AIR PRESSURE** Please fill out the indicated tire air pressure information below:



Comentarios \_\_\_\_\_  
\_\_\_\_\_

**TREAD DEPTHS** Please fill out the indicated tire tread depth information below:



Comments \_\_\_\_\_  
\_\_\_\_\_