



BUS C

Please fill out your contact information and vehicle information below:

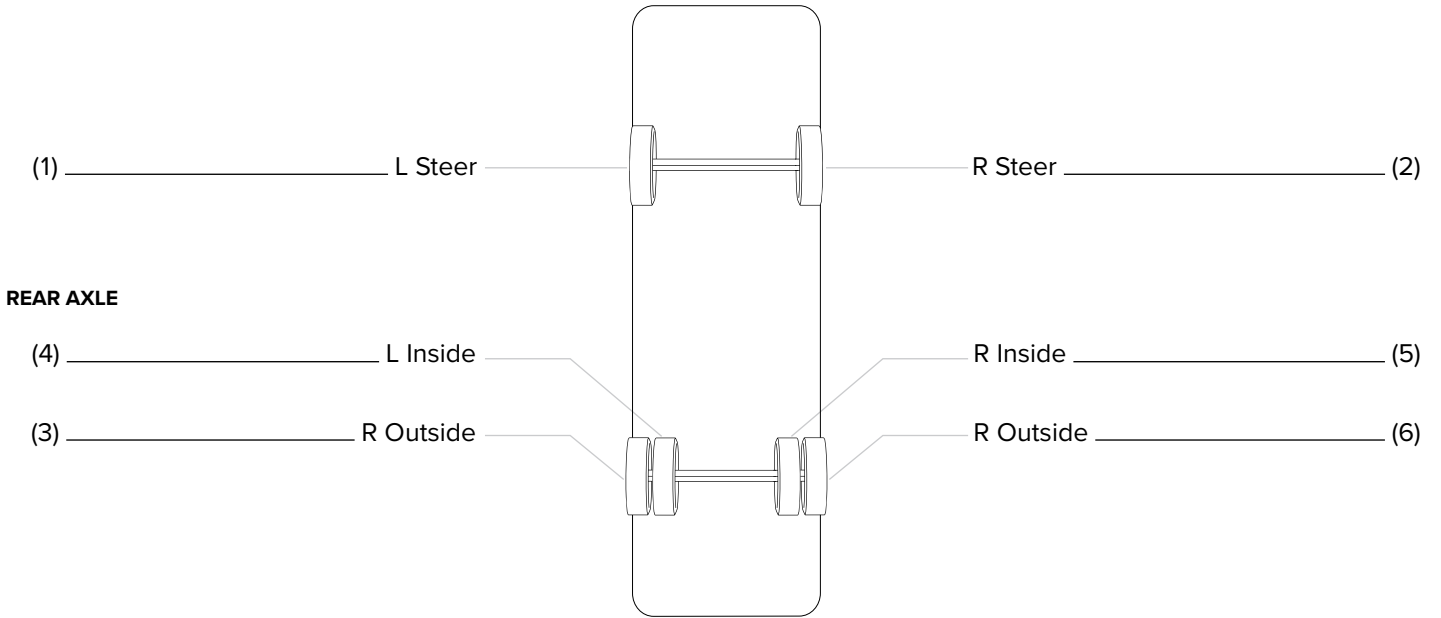
_____	_____
Company Name	Date
_____	_____
Address	Telephone
_____	_____
Email	Main Contact
_____	_____
Vehicle (Make/Model)	Vehicle Number/License Plate

TIRE INFORMATION

Please fill out the indicated tire information below:

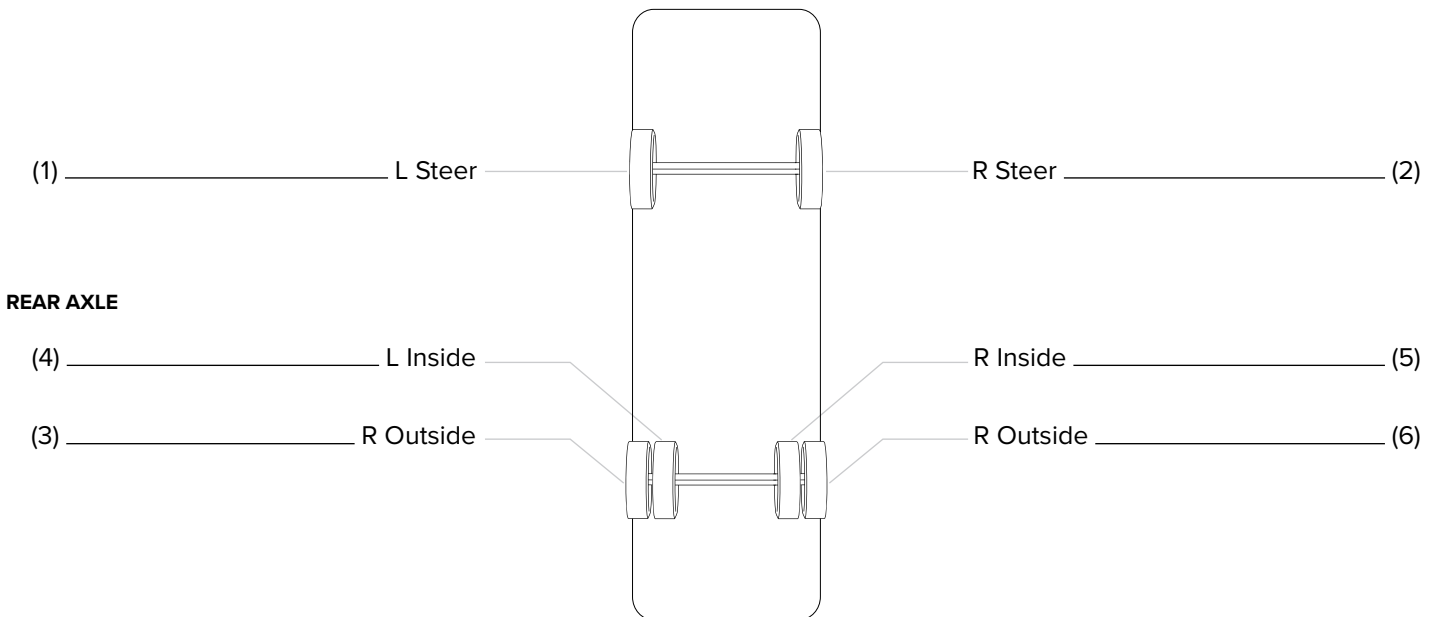
(1) _____	_____	_____	_____
Serial Number	Tire Size	Tire Model	Ply Rating
(2) _____	_____	_____	_____
Serial Number	Tire Size	Tire Model	Ply Rating
(3) _____	_____	_____	_____
Serial Number	Tire Size	Tire Model	Ply Rating
(4) _____	_____	_____	_____
Serial Number	Tire Size	Tire Model	Ply Rating
(5) _____	_____	_____	_____
Serial Number	Tire Size	Tire Model	Ply Rating
(6) _____	_____	_____	_____
Serial Number	Tire Size	Tire Model	Ply Rating

TIRE AIR PRESSURE Please fill out the indicated tire air pressure information below:



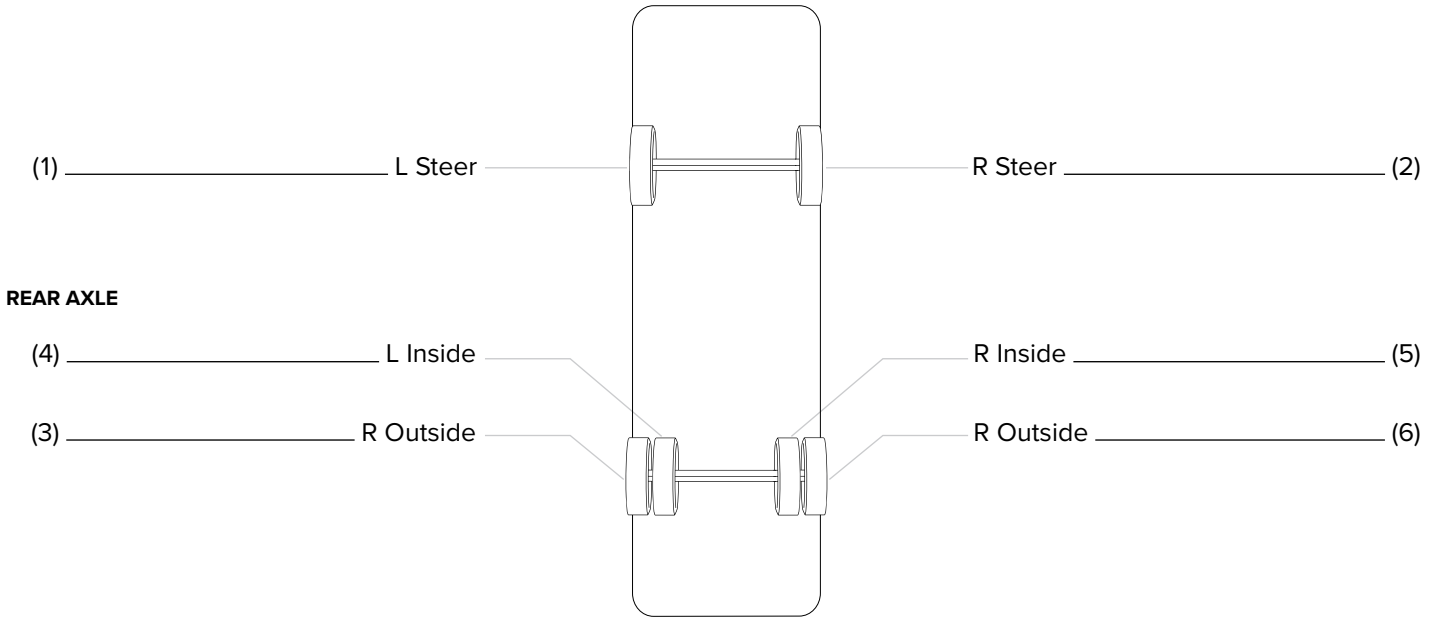
Comentarios _____

TREAD DEPTHS Please fill out the indicated tire tread depth information below:



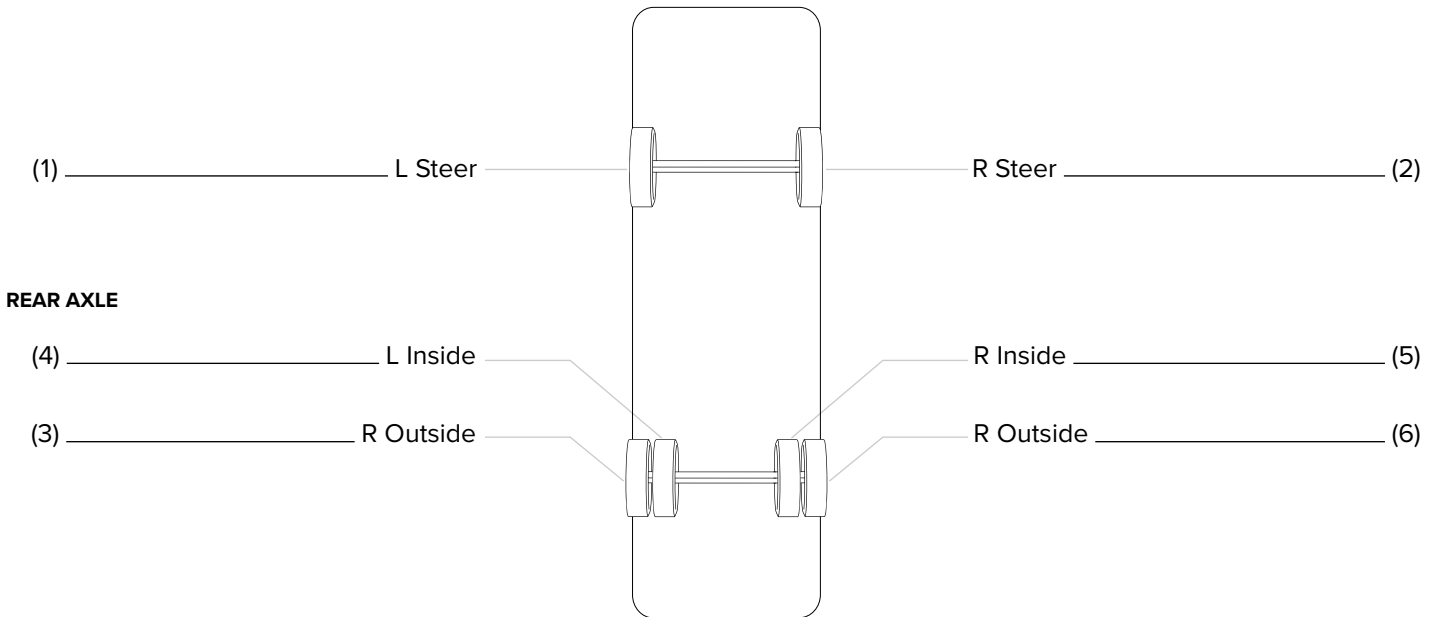
Comments _____

TIRE AIR PRESSURE Please fill out the indicated tire air pressure information below:



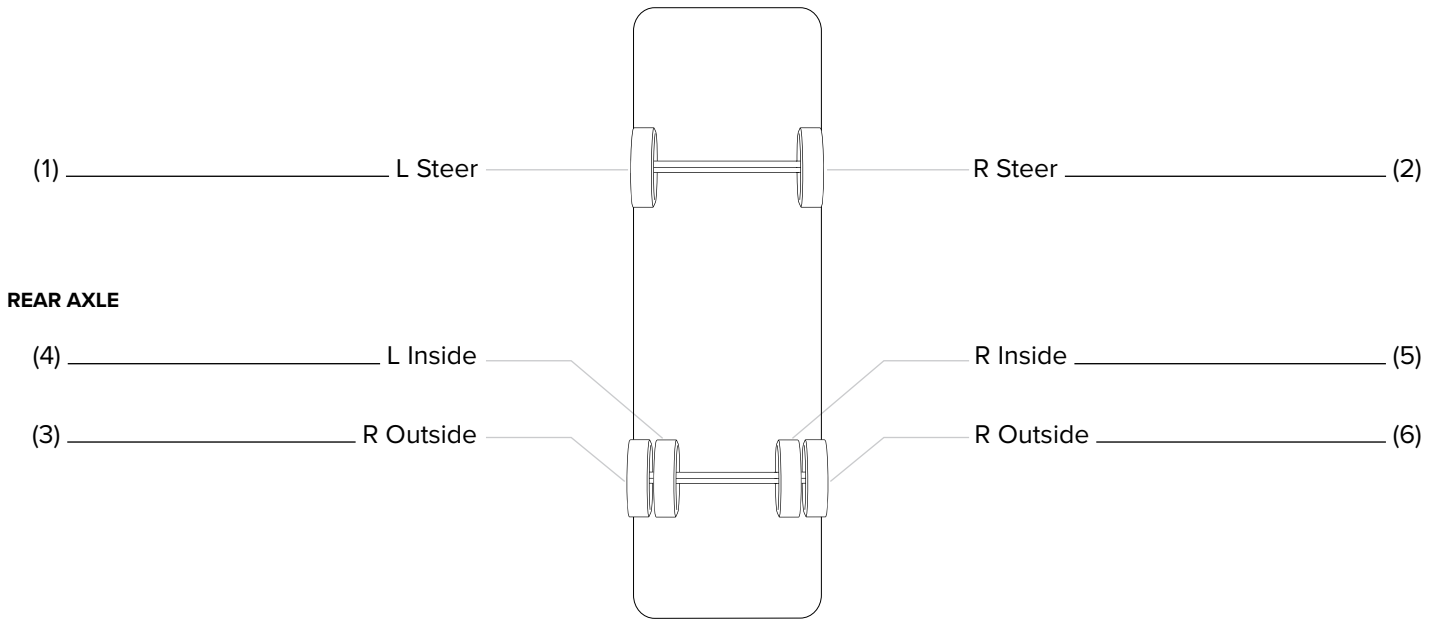
Comentarios _____

TREAD DEPTHS Please fill out the indicated tire tread depth information below:



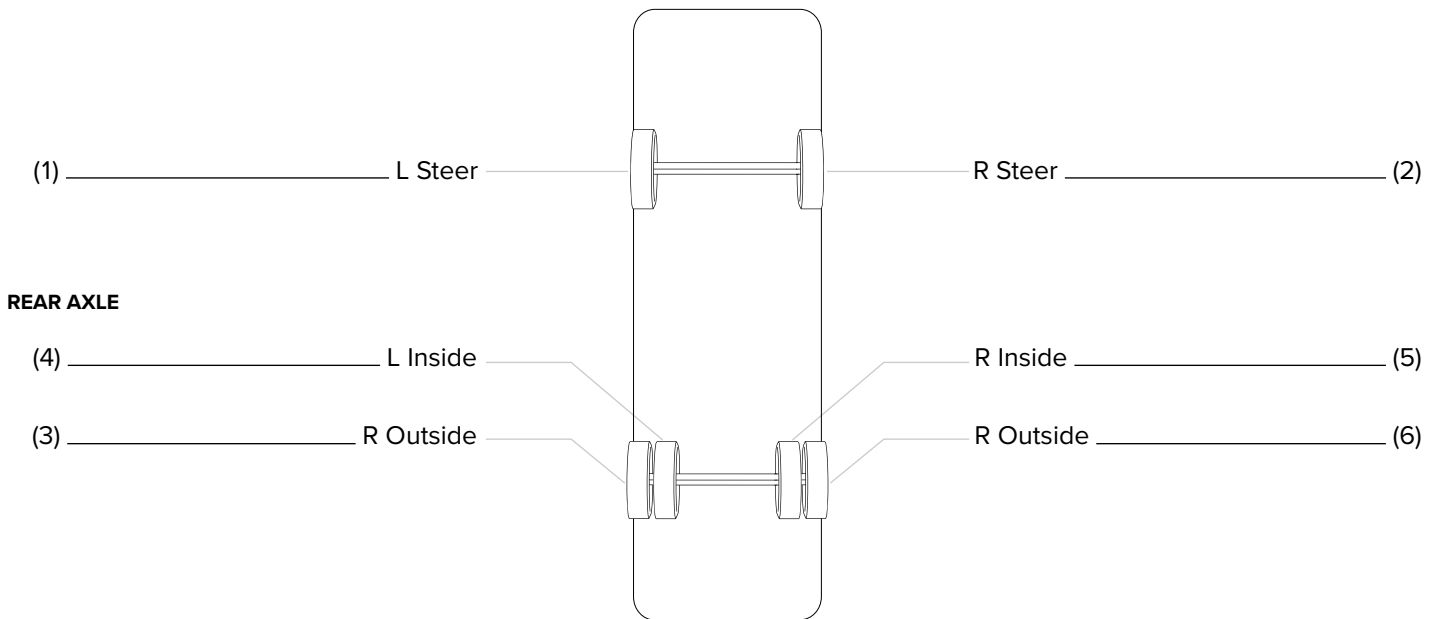
Comments _____

TIRE AIR PRESSURE Please fill out the indicated tire air pressure information below:



Comentarios _____

TREAD DEPTHS Please fill out the indicated tire tread depth information below:



Comments _____
