

## POWER UNITS/TRACTORS

Please fill out your contact information and vehicle information below:

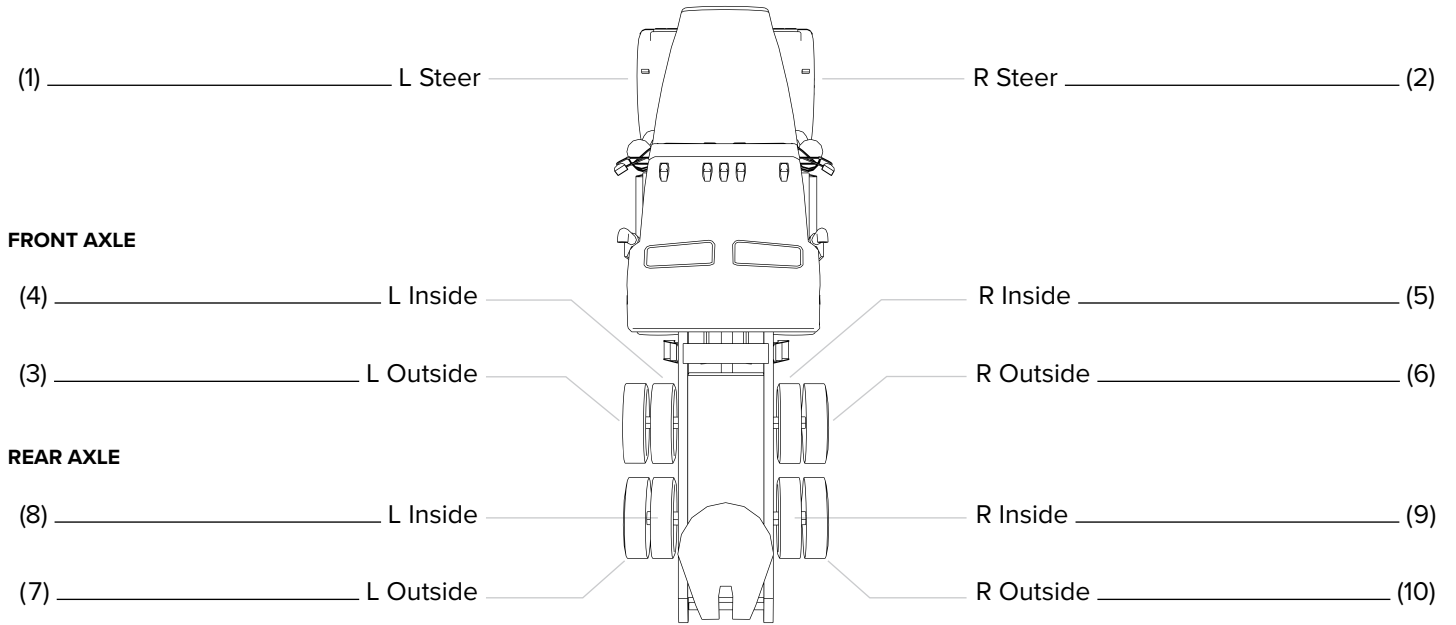
_____		_____	
Company Name		Date	
_____		_____	
Address		Telephone	
_____		_____	
Email		Main Contact	
_____		_____	
Vehicle (Make/Model)		Vehicle Number/License Plate	

### TIRE INFORMATION

 Please fill out the indicated tire information below:

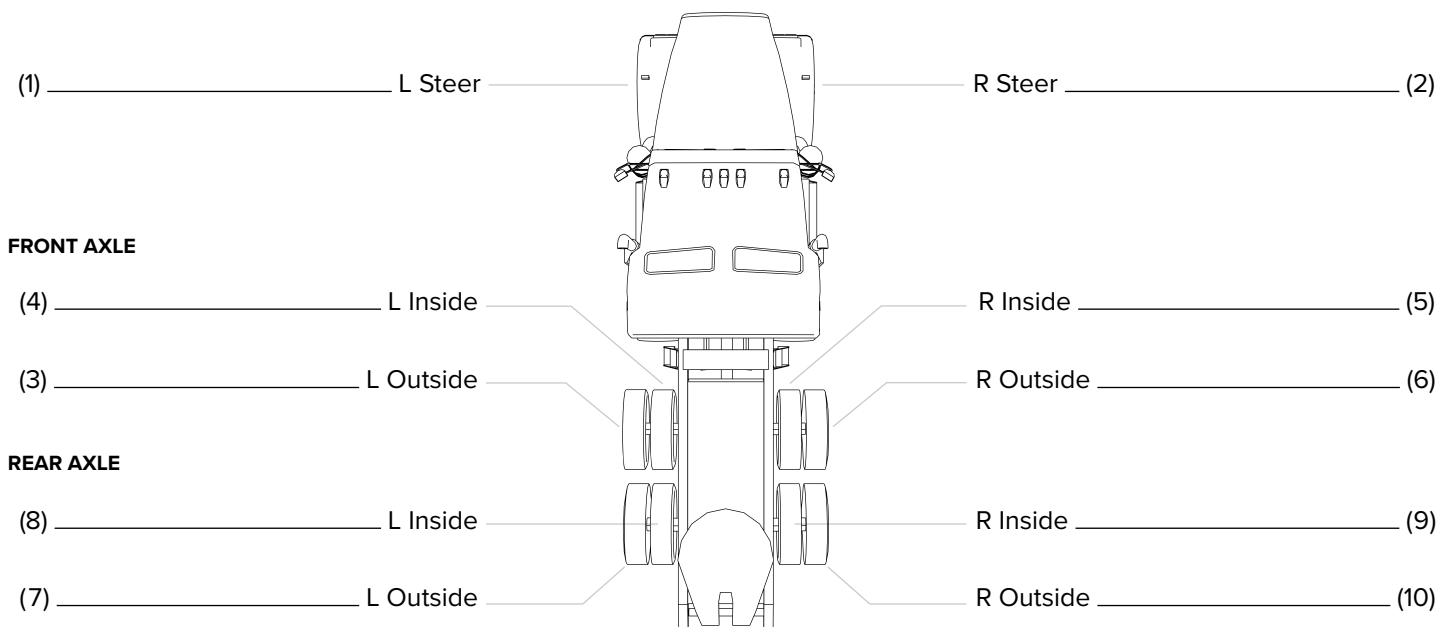
(1)	_____	_____	_____	_____
	Serial Number	Tire Size	Tire Model	Ply Rating
(2)	_____	_____	_____	_____
	Serial Number	Tire Size	Tire Model	Ply Rating
(3)	_____	_____	_____	_____
	Serial Number	Tire Size	Tire Model	Ply Rating
(4)	_____	_____	_____	_____
	Serial Number	Tire Size	Tire Model	Ply Rating
(5)	_____	_____	_____	_____
	Serial Number	Tire Size	Tire Model	Ply Rating
(6)	_____	_____	_____	_____
	Serial Number	Tire Size	Tire Model	Ply Rating
(7)	_____	_____	_____	_____
	Serial Number	Tire Size	Tire Model	Ply Rating
(8)	_____	_____	_____	_____
	Serial Number	Tire Size	Tire Model	Ply Rating
(9)	_____	_____	_____	_____
	Serial Number	Tire Size	Tire Model	Ply Rating
(10)	_____	_____	_____	_____
	Serial Number	Tire Size	Tire Model	Ply Rating

## TIRE AIR PRESSURE

 Please fill out the indicated tire air pressure information below:

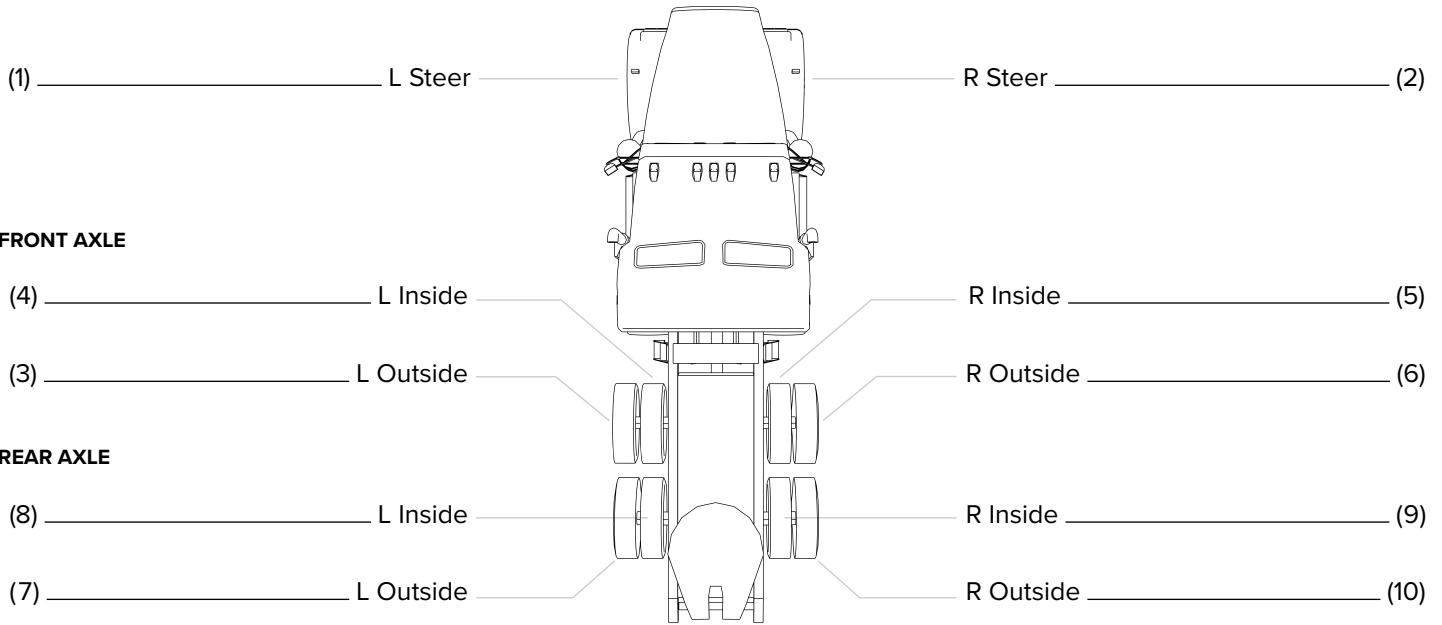
Comments \_\_\_\_\_  
\_\_\_\_\_

## TREAD DEPTHS

 Please fill out the indicated tire tread depth information below:

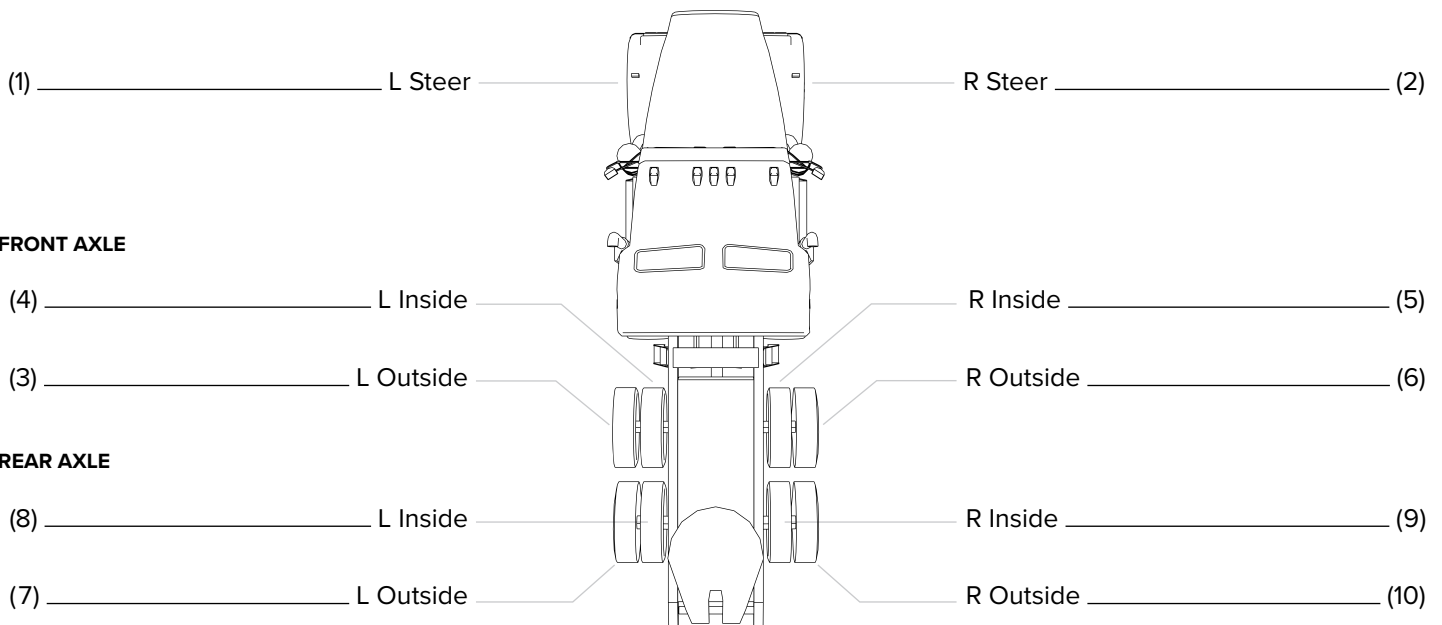
Comments \_\_\_\_\_  
\_\_\_\_\_

**TIRE AIR PRESSURE** Please fill out the indicated tire air pressure information below:



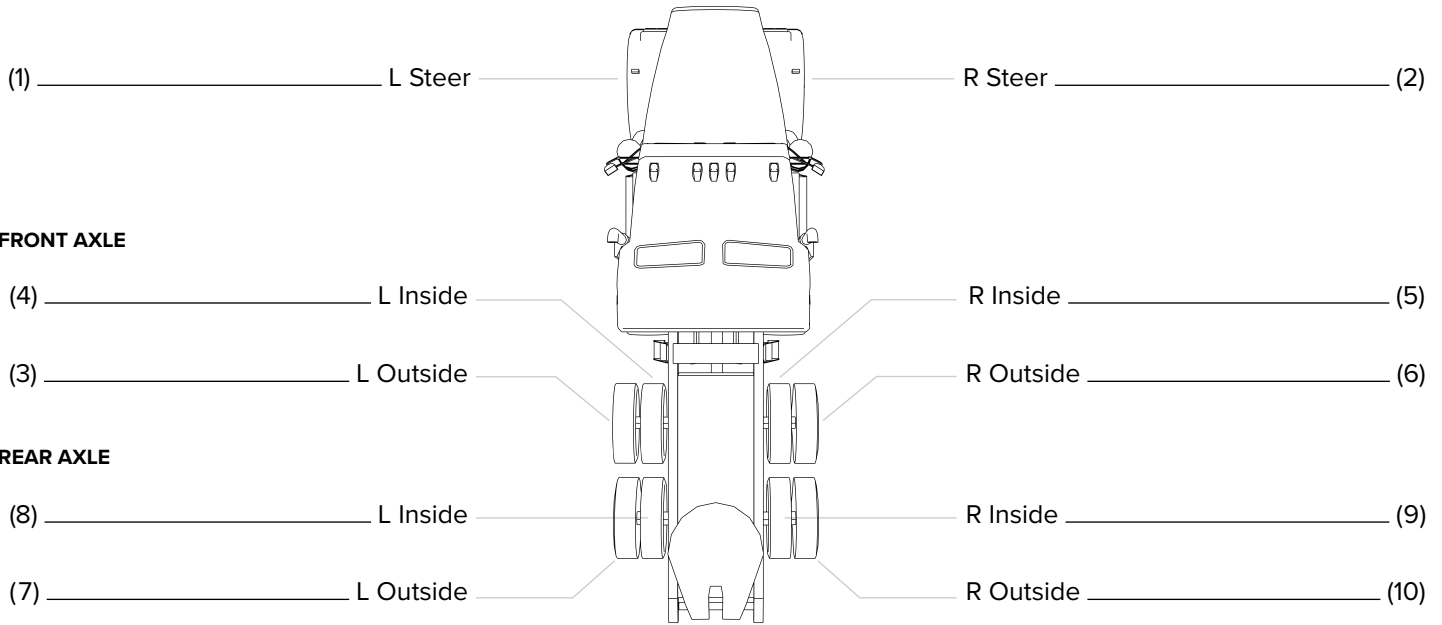
Comments \_\_\_\_\_  
\_\_\_\_\_

**TREAD DEPTHS** Please fill out the indicated tire tread depth information below:



Comments \_\_\_\_\_  
\_\_\_\_\_

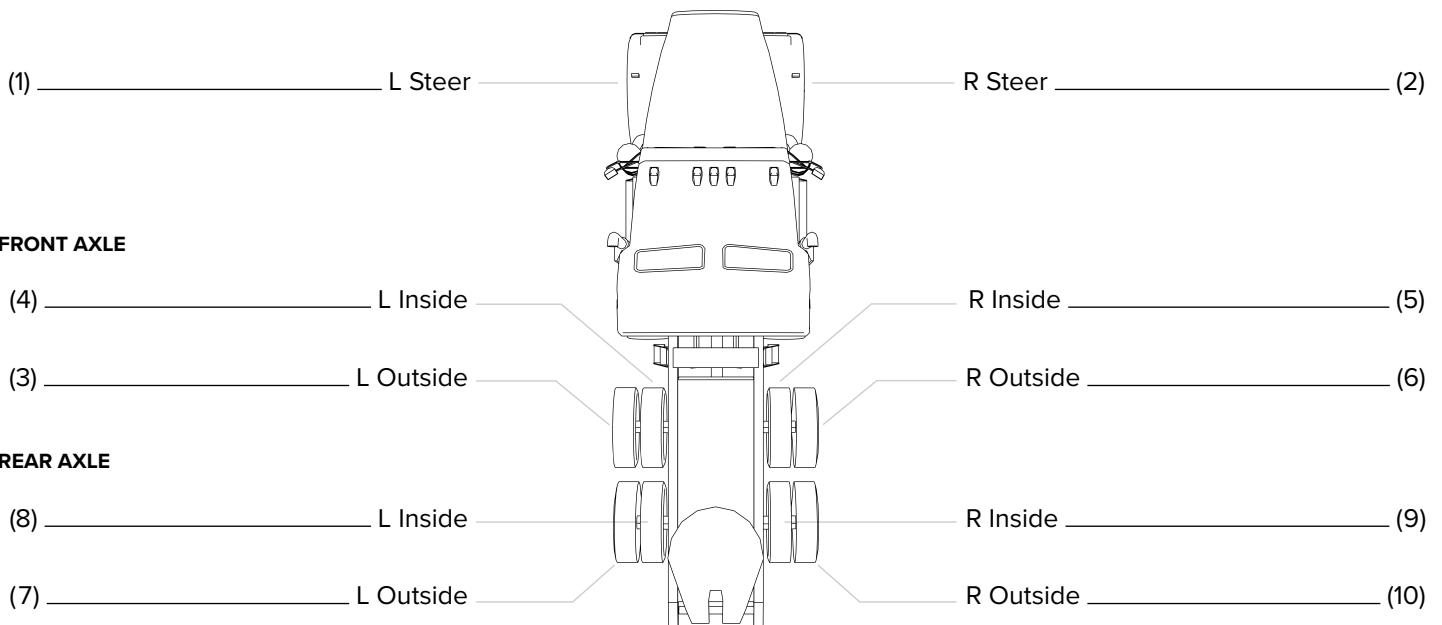
**TIRE AIR PRESSURE** Please fill out the indicated tire air pressure information below:



Comments \_\_\_\_\_

\_\_\_\_\_

**TREAD DEPTHS** Please fill out the indicated tire tread depth information below:



Comments \_\_\_\_\_

\_\_\_\_\_